

# Soft Close Installation Guide

## For Alsert Aluminium Doors

### Application

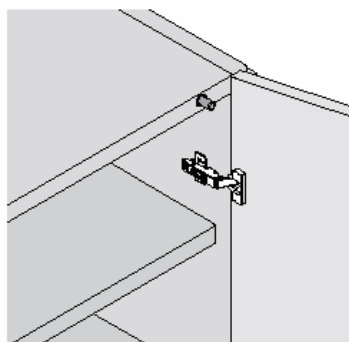


### BLUMOTION 970A requirements



### Description

- Offers the same quality of motion as in drawer systems with BLUMOTION
- Automatically adjusts to the closing force of the door
- Installed into the top and/or bottom panel or with adapter plates on hinge-side
- Up to two BLUMOTION per cabinet (one top and one bottom) depending on size and weight of door; trial application recommended
- Cannot be used with inset adapter plate (970.5203.21)
- **Designed for use with Blum euro hinges**



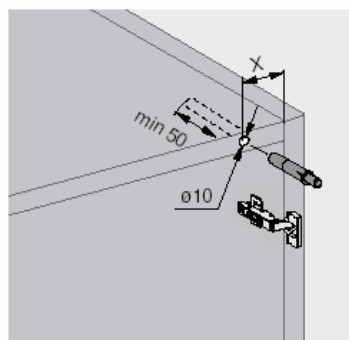
The table on the right hand page provides the corresponding boring distance for each application.

Boring distance (X) in mm

App. **54**

\*Application (App)

\* Refer to the special application section of the concealed hinge catalog



### Standard application

	Overlay		Twin		Inset*	
	X in mm		X in mm		X in mm	
MD	0mm	32	0mm	41	0mm	50
MD	3mm	35	3mm	44	3mm	53
MD	6mm	38	6mm	47		
MD	9mm	41	9mm	50		

MD: Mounting plate spacing

X: Boring distance

# Alsert | DOORS

235 Orchard Rd, Richlands Q 4077  
 PO Box 687, Sumner Park BC Q 4074  
 Tel: 1300 560 042  
 Fax: 1300 560 069  
 Email: [sales@alsertdoors.com.au](mailto:sales@alsertdoors.com.au)  
[www.alsertdoors.com.au](http://www.alsertdoors.com.au)