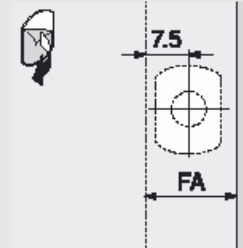
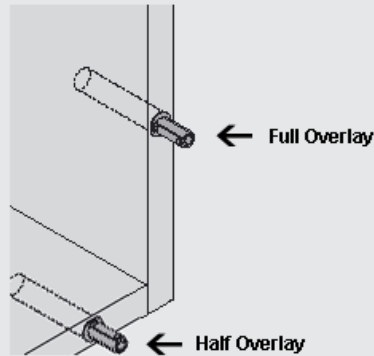
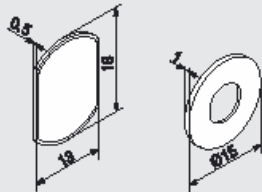
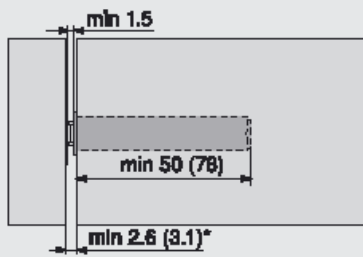


Touch To Open Installation Guide

For Alsert Aluminium Doors

Full Overlay and Half Overlay Doors

TIP-ON "Standard" and "extended version" for drilling



The surface of the front must be clean, oil-free and dry.

FA = front overlay

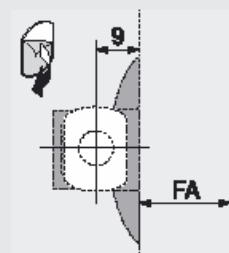
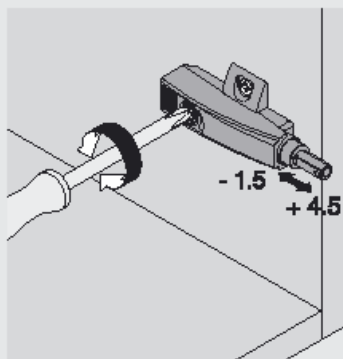
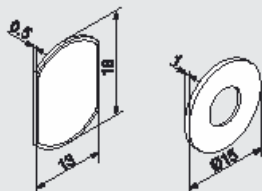
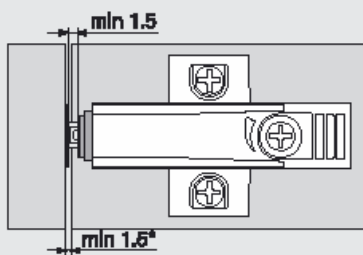
- * min. 2.6 mm with self-adhesive catch plate
- * min. 3.1 mm with screw-on catch plate

Inlay Doors

Alsert | DOORS

235 Orchard Rd, Richlands Q 4077
PO Box 687, Sumner Park BC Q 4074
Tel: 1300 560 042
Fax: 1300 560 069
Email: sales@alsertdoors.com.au
www.alsertdoors.com.au

TIP-ON cruciform adapter plate (37/32)



The surface of the front must be clean, oil-free and dry.

FA = front overlay

*Factory setting = 2 mm

Alsert | DOORS

235 Orchard Rd, Richlands Q 4077
PO Box 687, Sumner Park BC Q 4074
Tel: 1300 560 042
Fax: 1300 560 069
Email: sales@alsertdoors.com.au
www.alsertdoors.com.au